

## DH-SD6923E/36E/70-H

---

### 23x/36x IR PTZ Dome Camera



### Features

- Powerful 23x/36x optical zoom
- High resolution@700TVL/650TVL
- DWDR, Day/Night (ICR), DNR (2D&3D), Auto iris, Auto focus, AWB, AGC, BLC
- Max 240°/s pan speed, 360° continuous pan rotation
- Up to 255 presets, 5 auto scan, 8 tour, 5 pattern
- Built-in 7/2 alarm in/out
- Support intelligent 3D positioning with DH-SD protocol
- IP66, IR Distance up to 100m

# DH-SD6923E/36E/70-H

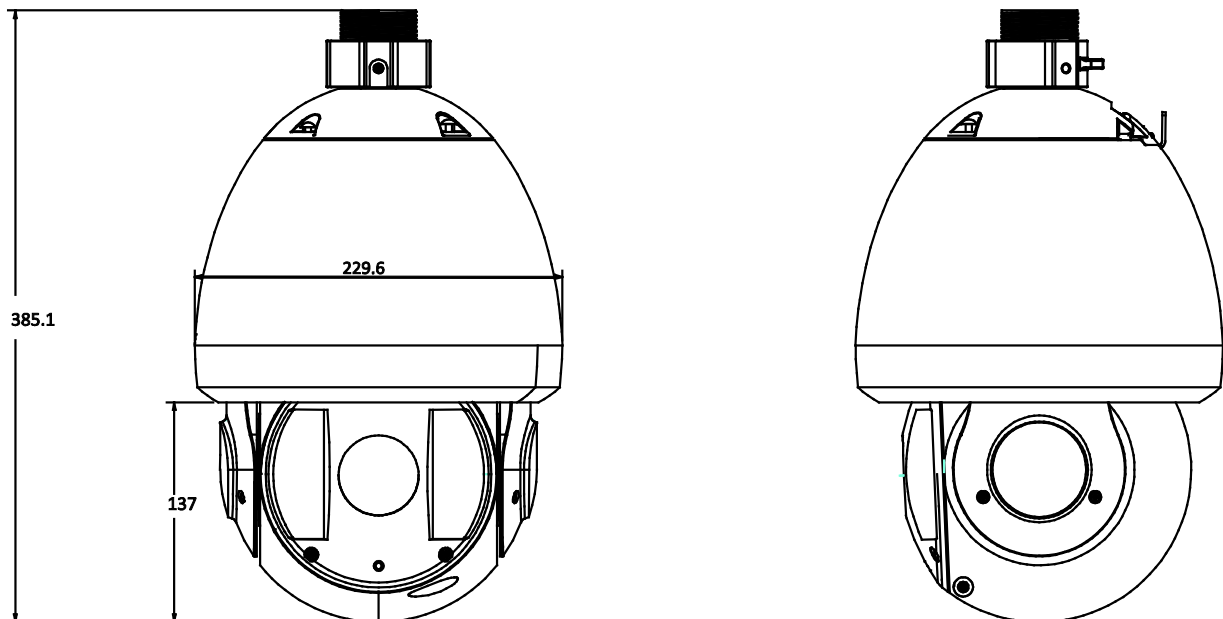
## Technical Specifications:

| Model                    | DH-SD6923E-H   | DH-SD6936E-H                        | DH-SD6970-H                                 |
|--------------------------|--|-------------------------------------|---|
| <b>Camera</b>            |  |                                     |   |
| Image Sensor             | 1/4" Super HAD CCD II  |                                     | 1/3" EXview HAD CCD II                      |
| Effective Pixels         | 976(H) × 582(V) / 976(H) × 494(V)  |                                     |   |
| Horizontal Resolution    | Color: 650TVL; B/W: 700TVL   |                                     | Color: 700TVL<br>B/W: 750TVL                |
| Scanning System          | Interlacing  |                                     |   |
| Electronic Shutter Speed | 1/1s ~ 1/100,000s  |                                     |   |
| Min. Illumination        | Color: 0.01 Lux/F1.6<br>B/W: 0.001Lux/F1.6   |                                     | Color: 0.001Lux/F1.6<br>B/W: 0.0001Lux/F1.6 |
| S/N Ratio                | More than 50dB   |                                     |   |
| Video Output             | BNC(1.0Vp-p/75Ω), PAL / NTSC   |                                     |   |
| <b>Camera Features</b>   |  |                                     |   |
| Day/Night                | Auto(ICR) / Color / B/W  |                                     |   |
| Backlight Compensation   | BLC / HLC / DWDR (Digital WDR)   |                                     |   |
| White Balance            | Auto, ATW, Indoor, Outdoor, Manual   |                                     |   |
| Gain Control             | Auto / Manual  |                                     |   |
| Noise Reduction          | 2D / 3D  |                                     |   |
| Privacy Masking          | Up to 24 areas   |                                     |   |
| Digital Zoom             | 16x  |                                     |   |
| <b>Lens</b>              |  |                                     |   |
| Focal Length             | 3.9mm~89.7mm<br>(23x Optical zoom)   | 3.4mm~122.4mm<br>(36x Optical zoom) | 3.9mm ~ 89.7mm<br>(23x Optical zoom)        |
| Max Aperture             | F1.6~ F3.7   | F1.6~ F4.5                          | F1.6~ F2.7                                  |
| Focus Control            | Auto / Manual  |                                     |   |
| Angle of View            | H: 61.68° ~ 3.06°  | H: 57.8° ~ 1.7°                     | H: 57.58° ~ 3.12°                           |
| Close Focus Distance     | 10mm~1000mm  |                                     |   |
| <b>PTZ</b>               |  |                                     |   |
| Pan/Tilt Range           | Pan: 0° ~ 360° endless; Tilt: -2° ~ 90°, auto flip 180°                              |                                     |   |
| Manual Control Speed     | Pan: 0.1° ~ 160°/s; Tilt: 0.1° ~ 120°/s  |                                     |   |
| Preset Speed             | Pan: 240°/s; Tilt: 200°/s  |                                     |   |
| Preset                   | 80(DH-SD) , 255(Pelco-P/D)   |                                     |   |
| PTZ Mode                 | 5 Pattern, 8 Tour, Auto Pan, Auto Scan   |                                     |   |
| Speed Setup              | Human-oriented focal length/ speed adaptation  |                                     |   |
| Power up Action          | Auto restore to previous PTZ and lens status after power failure                     |                                     |   |
| Idle Motion              | Activate Preset/Pan/Scan/Tour/Pattern if there is no command in the specified period |                                     |   |
| Time Task                | Auto activation of Preset/Pan/Scan/Tour/Pattern by preset-time                       |                                     |   |
| Protocol                 | DH-SD, Pelco-P/D (Auto recognition)  |                                     |   |
| IR Distance              | 100m (6 near IR LED+ 8 far IR LED)   |                                     |   |

## DH-SD6923E/36E/70-H

| Auxiliary Interface |   |
|---------------------|---|
| RS485               | 1 port  |
| Alarm               | 7/2 channel In/Out                              |
| General             |   |
| Power Supply        | AC24V/3A ( $\pm 10\%$ ), DC12V optional         |
| Power Consumption   | 13W , 31W(IR on)                                |
| Working Environment | -40°C ~ 60°C / Less than 90% RH                 |
| Ingress Protection  | IP66  |
| Dimensions          | $\Phi 229.6(\text{mm}) \times 381.5(\text{mm})$ |
| Weight              | 7.0kg   |

### Dimensions (mm)







## DH-SD6923E/36E/70-H

### Accessories

|   |   |  |
|---|---|--|
|  |  |  |
| DH-69FB   | DH-PFA111   | Power Supply   |

### Accessories (Optional)

|  |  |  |  |
|--|--|--|--|
|  |  |  |  |
| DH-PFB300C   | DH-PFB301C   | DH-PFA112  | DH-PFA113  |

|   |   |   |   |
|---|---|---|---|
|  |  |  |  |
| DH-PFB301S  | DH-PFA120   | DH-PFA150   | DH-PFA151   |

### **Dahua Technology Co., Ltd.**

1187 BinAn Road, Binjiang District, Hangzhou, China

Tel: +86-571-87688883

Fax: +86-571-87688815

Email: [overseas@dahuatech.com](mailto:overseas@dahuatech.com)

[www.dahuatech.com](http://www.dahuatech.com)

\*Design and specifications are subject to change without notice.

© 2013 Dahua Technology Co., Ltd.